

**Service Trolleys**  
**Three Tier Service Trolley with**  
**Handle 1200 mm**

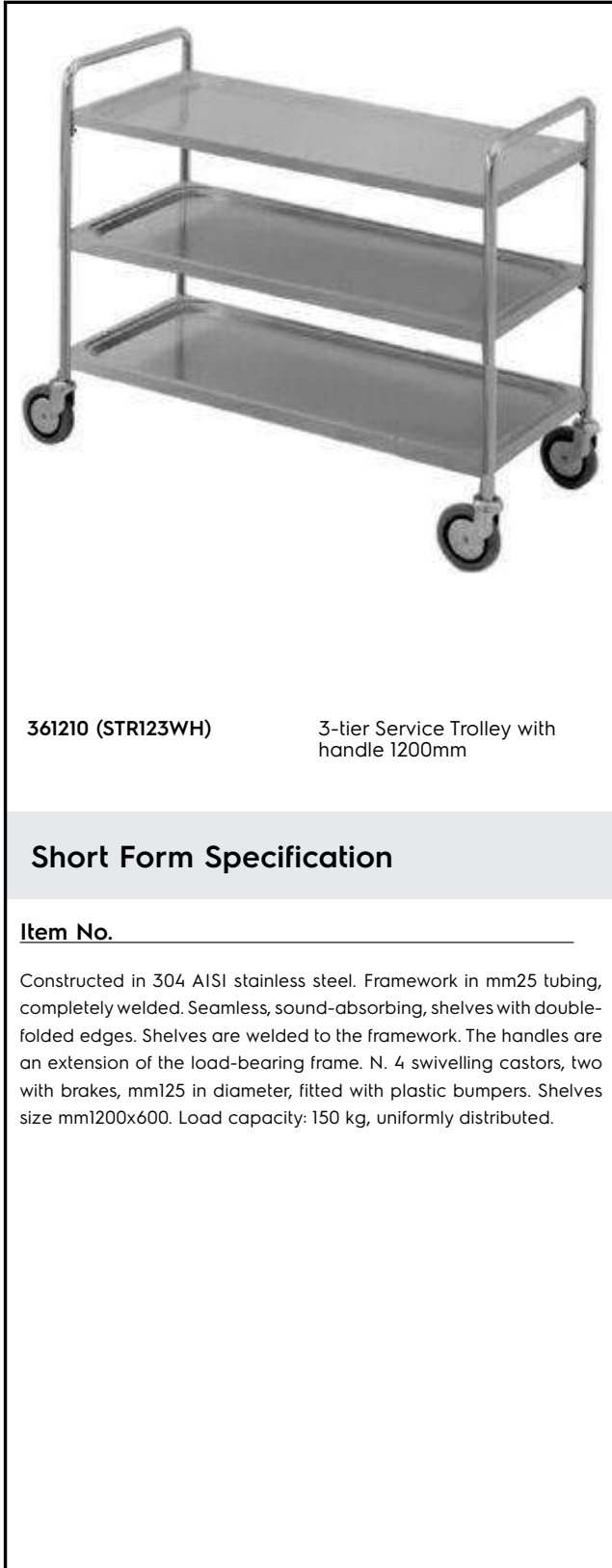
ITEM # \_\_\_\_\_

MODEL # \_\_\_\_\_

NAME # \_\_\_\_\_

SIS # \_\_\_\_\_

AIA # \_\_\_\_\_



361210 (STR123WH)

3-tier Service Trolley with  
handle 1200mm

### Short Form Specification

Item No. \_\_\_\_\_

Constructed in 304 AISI stainless steel. Framework in mm25 tubing, completely welded. Seamless, sound-absorbing, shelves with double-folded edges. Shelves are welded to the framework. The handles are an extension of the load-bearing frame. N. 4 swivelling castors, two with brakes, mm125 in diameter, fitted with plastic bumpers. Shelves size mm1200x600. Load capacity: 150 kg, uniformly distributed.

### Main Features

- Framework in 25 mm tubing, completely welded.
- Load capacity of 150 kg uniformly distributed.
- Seamless sound-absorbing shelves with double-folded edges welded to the framework.
- Shelves size 1200x600 mm.
- Strong, ergonomic handle is an extension of the load-bearing frame.
- 4 pivoting Ø 125 mm wheels, 2 of which with brakes, fitted with plastic bumpers

### Construction

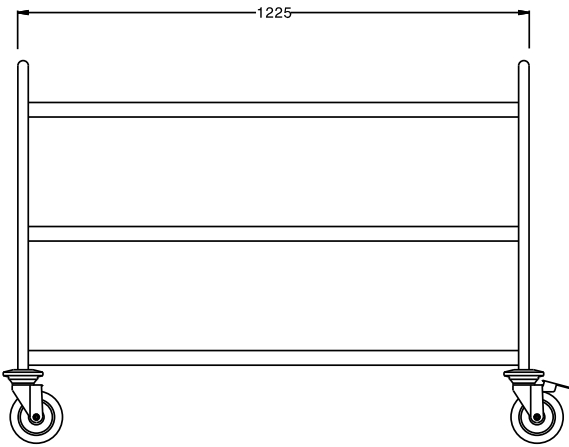
- Constructed entirely in 304 AISI stainless steel.

APPROVAL: \_\_\_\_\_

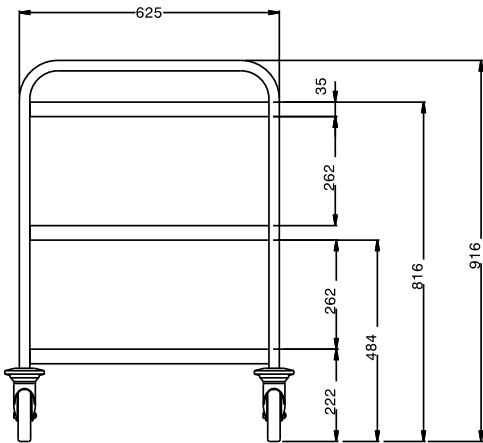
**Key Information:**

<b>External dimensions, Width:</b>	
<b>361210 (STR123WH)</b>	1295 mm
<b>External dimensions, Depth:</b>	695 mm
<b>External dimensions, Height:</b>	975 mm
<b>Wheel material:</b>	Zinc plated
<b>Wheel diameter:</b>	Ø 125
<b>Net weight:</b>	30 kg

Front



Side



Top

